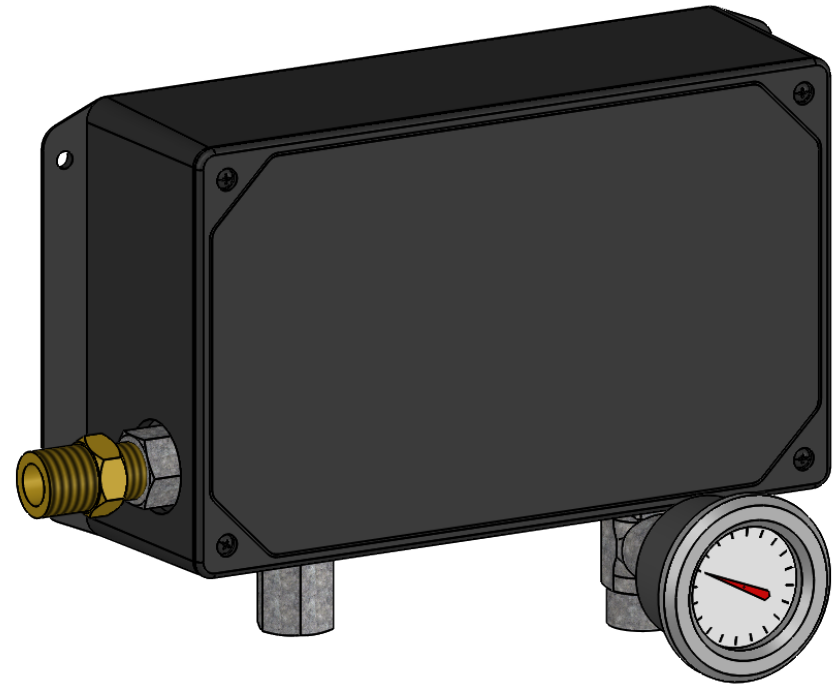
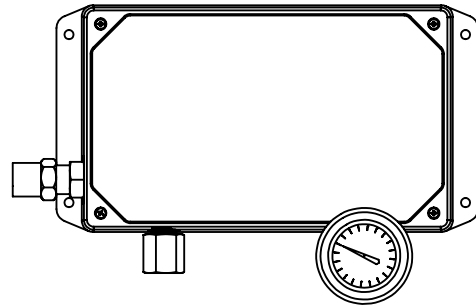
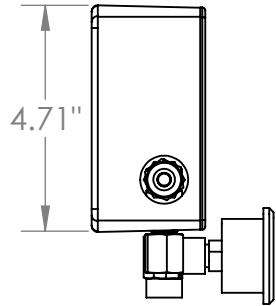
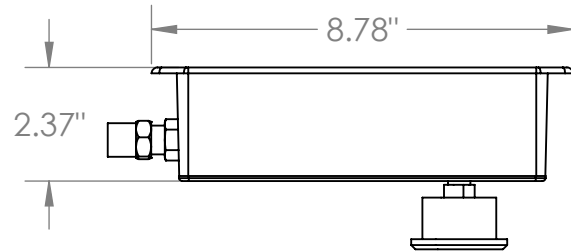


2

1

B

B



SCALE: 1:2

**NOTE:** CS2100 comes with (2) 44" High Pressure Beverage Hoses

**NOTE:** Depending on application, a CGA 320 or CGA 580 connection will be needed. Be sure to specify upon request.

A

A

**PROPRIETARY AND CONFIDENTIAL**  
 THE INFORMATION CONTAINED IN THIS DRAWING IS THE SOLE PROPERTY OF MILLER CARBONIC, INC. ANY REPRODUCTION IN PART OR AS A WHOLE WITHOUT THE WRITTEN PERMISSION OF MILLER CARBONIC, INC. IS PROHIBITED.

		UNLESS OTHERWISE SPECIFIED:		NAME	DATE
		DIMENSIONS ARE IN INCHES	DRAWN	T.T.	6/30/2020
		TOLERANCES:	CHECKED	T.T.	6/30/2020
		FRACTIONAL ±	ENG APPR.		
		ANGULAR: MACH ± BEND ±	MFG APPR.		
		TWO PLACE DECIMAL ±0.05	Q.A.		
		THREE PLACE DECIMAL ±0.005			
		INTERPRET GEOMETRIC TOLERANCING PER:			
		MATERIAL			
		FINISH			
NEXT ASSY	USED ON				
	APPLICATION	DO NOT SCALE DRAWING			

TITLE:  
**CARBOSWITCH  
 2100 - CLASSIC**

SIZE DWG. NO. REV  
**A CS2100\_C**

SCALE: 1:4 WEIGHT: 4.10 LBS SHEET 1 OF 1



2

1